



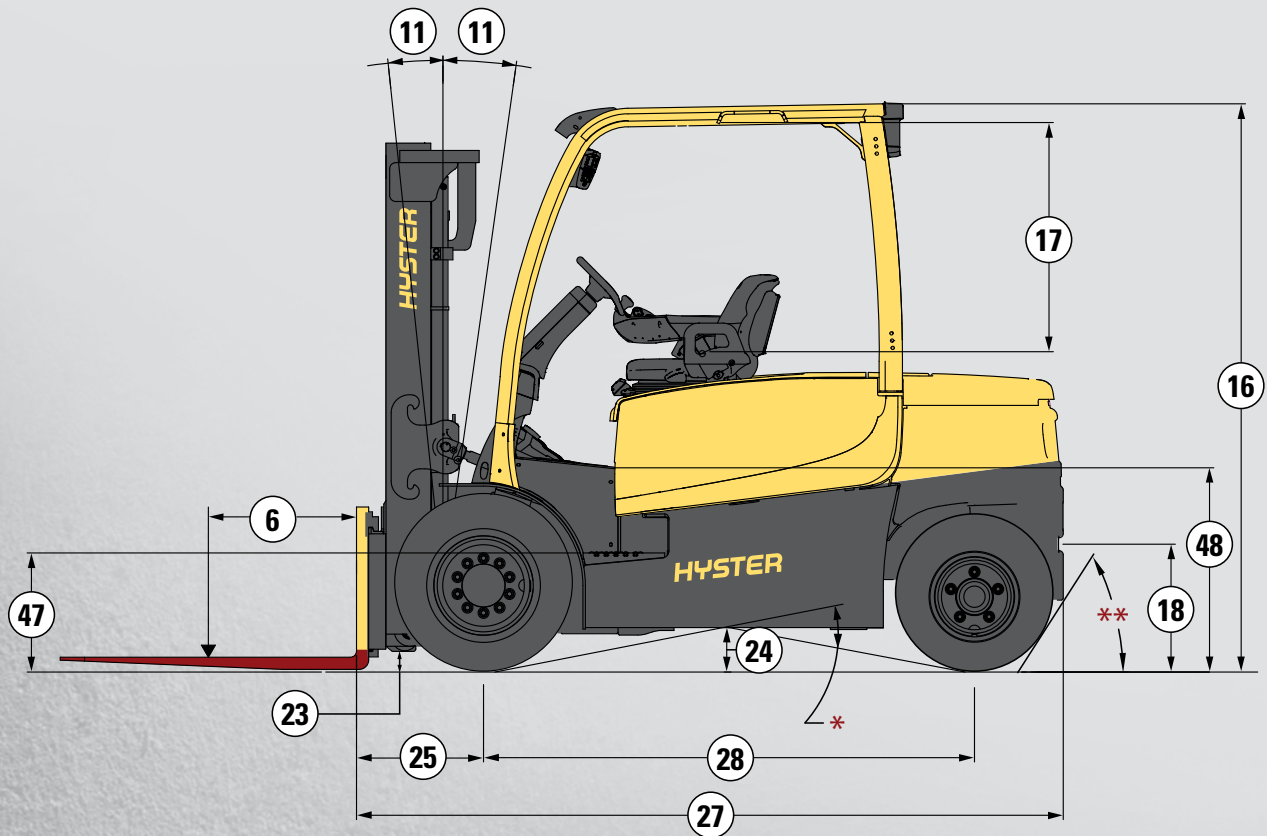
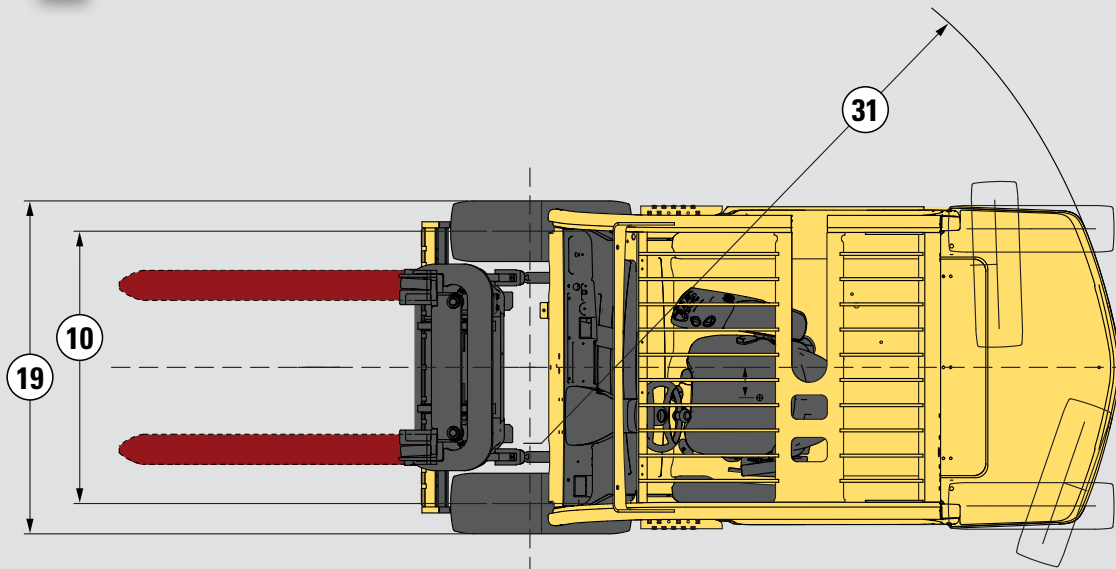
**STRONG PARTNERS.  
TOUGH TRUCKS.™**



# **J80-120XN SERIES TECHNICAL GUIDE**

**[WWW.HYSTER.COM](http://WWW.HYSTER.COM)**

## > J80-120XN DIMENSIONS



\* Ground Clearance Grade  
 23.4° (J80XN, J90XN, J100XN)  
 20.7° (J100XNL, J110XN, J120XN)

\*\* Counterweight Angle  
 61° (J80XN, J90XN, J100XN)  
 75° (J100XNL, J110XN, J120XN)

Circled dimensions correspond to the line numbers on the tabulated chart inside the Technical Guide. Dimensions are in inches (millimeters).

# J80-100XN SPECIFICATIONS <

GENERAL	1	Manufacturer		Hyster			
	2	Model Designation		J80XN	J90XN	J100XN	
	3	Power/Voltage		Electric/80 Volts			
	4	Operation		Sit			
	5	Rated Capacity	lb (kg)	8000 (3629)	9000 (4082)	10000 (4536)	
	6	Load Center		in (mm) 24 (610)			
TIRES	7	Tire Type - Cushion, Solid, Pneumatic, etc.		Std/Opt	Pneumatic/Pneumatic Shaped Solid		
	8	Tire Size (Standard)		Drive/Steer	in	250 x 15 20 Ply / 7.00 x 12 16 Ply 28 x 12.5-15 24 Ply / 7.00 x 12 16 Ply	
	9	Wheels - Number	X=Driven	Drive/Steer	2X/2		
	10	Tread (Drive / Steer)		See Tread Chart on page 5			
DIMENSIONS	11	Mast Tilt	Std Opt Opt	degrees	6F/6B 6F/8B 6F/4B		
	12	Mast - Lowered Height	Std Mast	in (mm)	92 (2320)		
	13	Free Lift - Top of Fork	Std 2 Stg Limited Free Lift Mast		in (mm)	5 (150)	
	14	Lift Height - Top of Fork	Std 2 Stg Limited Free Lift Mast		in (mm)	131 (3350)	121 (3090)
	15	Mast - Extended Height	Std Mast with/without LBR		in (mm)	181/162 (4591/4109)	172/159 (4364/4030)
	16	Overhead Guard Height		in (mm)	92 (2338)		
	17	SIP to Bottom of OHG	Seat Depressed	Std/Susp/Swivel	in (mm)	38.5/39.1/38.5 (977/992/978)	
	18	Tow Pin Height		Vertical Center of Pin	in (mm)	20.7 (526)	
	19	Overall Width (Drive Tires)		See Overall Width Chart on page 5			
	20	Forks	Thickness x Width x Length		in (mm)	2.0 x 4.9 x 48 (50 x 125 x 1219)	2.0 x 5.9 x 48 (50 x 150 x 1219)
	21	Standard Carriage Width	Class III (8000-9000 lb.) Class IV (10000 - 12000 lb.)		in (mm)	48 (1219)	
	23	Ground Clearance		Lowest Point	See Ground Clearance Chart on page 5		
	24	Ground Clearance	Center of Truck	NL/RL	in (mm)	7.2/7.0 (183/177)	
	25	Load Distance	Center of Wheel to Face of Forks		in (mm)	20.6 (523)	22.9 (581)
	26a	Battery Compartment	Height	w/Vertical Battery Removal	in (mm)	31.8 (808)	
	26b		Width		in (mm)	40.8 (1037)	
	26c			Nominal (Std/Opt)	SIZE	40/34	40
	26d		Length	Actual (Std/Opt)	in (mm)	39.6/33.8 (1006/859)	39.6 (1006)
	27	Length to Face of Forks	Chassis Length		in (mm)	114.5 (2908)	116.8 (2966)
	28	Wheelbase		in (mm)	79.5 (2020)		
	29	Right Angle Stack		in (mm)	163.9 (4164)	166.2 (4222)	
30	Equal Aisle		90° Intersecting Aisle	in (mm)	91.4 (2322)	91.9 (2334)	
31	Outside Turning Radius		in (mm)	94.9 (2411)			
WT.	32	Truck Weight	Without Battery	NL	lb (kg)	11080 (5026) 11390 (5166) 12220 (5543)	
	33	Axle Loading - Drive	Static with Max. Wt. Battery	NL/RL	lb (kg)	8791/21276 (3988/9651) 8912/22958 (4042/10414) 9341/25235 (4237/11446)	
	34	Axle Loading - Steer	Static with Max. Wt. Battery	NL/RL	lb (kg)	7687/3201 (3487/1452) 7870/2824 (3570/1281) 8272/2378 (3752/1079)	
PERFORMANCE	STANDARD PERFORMANCE						
	35a	Travel Speed	Extended Shift On	NL/RL	mph (km/h)	11.0/9.9 (17.7/15.9)	10.7/9.5 (17.2/15.3) 10.4/9.4 (16.7/15.1)
	35b		Extended Shift Off	NL/RL	mph (km/h)	13.0/12.4 (21.0/20.0)	
	36a	Lift Speed, Extended Shift On	Std 2 Stg LFL Mast	NL/RL	ft/min (m/sec)	118/87 (0.60/0.44)	93/71 (0.47/0.36)
	36b		Opt 2 Stg FFL Mast	NL/RL	ft/min (m/sec)	107/78 (0.542/0.398)	87/67 (0.444/0.34)
	36c		Opt 3 Stg FFL Mast	NL/RL	ft/min (m/sec)	110/81 (0.56/0.411)	89/68 (0.452/0.346)
	36d	Lift Speed, Extended Shift Off	Std 2 Stg LFL Mast	NL/RL	ft/min (m/sec)	118/87 (0.60/0.44)	93/71 (0.47/0.36)
	36e		Opt 2 Stg FFL Mast	NL/RL	ft/min (m/sec)	107/78 (0.542/0.398)	87/67 (0.444/0.34)
	36f		Opt 3 Stg FFL Mast	NL/RL	ft/min (m/sec)	110/81 (0.56/0.411)	89/68 (0.452/0.346)
	37a	Lower Speed	Std 2 Stg LFL Mast	NL/RL	ft/min (m/sec)	94/104 (0.48/0.53)	73/89 (0.37/0.45)
	37b		Opt 2 Stg FFL Mast	NL/RL	ft/min (m/sec)	75/91 (0.38/0.46)	57/81 (0.29/0.41)
	37c		Opt 3 Stg FFL Mast	NL/RL	ft/min (m/sec)	77/98 (0.39/0.50)	63/87 (0.32/0.44)
	38a	Gradeability	5 Minute Rating	NL/RL	%	23/15.6	22.7/14.9 22.2/14.1
	38b		60 Minute Rating	NL/RL	%	8.4/5.8	8.3/5.5 8.1/5.2
	39a	Drawbar Pull	5 Minute Rating	NL/RL	lbf	3985/3867	4025/3908 4022/3907
39b	60 Minute Rating		NL/RL	lbf	1475/1444	1493/1460 1490/1458	
40a	Brake	Method of Control	Service/Parking	Hydraulic/Spring Applied			
40b		Method of Operation	Service/Parking	Foot/Automatic			
ELECTRIC	41	Battery		Type	Lead Acid		
	42	Traction Motors (Dual)	60 Minute Rating	Each	hp (kW)	19.7 (14.7)	
	43	Pump Motor		15 Minute rating	hp (kW)	48.3 (36)	
	44	Traction Motors		Type/Control Method	Dual AC/Transistor		
	45	Pump Motor		Type/Control Method	AC/Transistor		
	46	Number of Speeds		Traction/Pump	Infinitely Variable/Infinitely Variable		
OTHER	47	Step Height		in (mm)	19.3 (490)		
	48	Floor Height		in (mm)	33.1 (840)		
	49	Attachment Relief Pressure		psi (bar)	2250 (155)		
	50	Auxiliary Oil Flow		3rd and 4th Function	gal/min (l/min)	16 (60)	
	51a	Sound Level		Extended Shift On	dB (A)	68	
51b	(Measured per ANSI B56.11.5)		Extended Shift Off	dB (A)	69		

Above specifications, unless otherwise listed, are for a standard truck without optional equipment.

Right Angle Stack and Equal Intersecting Aisle dimensions provided with a 48" long and 40" wide pallet load, allowing zero clearance.

CERTIFICATION: Hyster lift trucks meet the design and construction requirements of B56.1-1969, per OSHA Section 1910.178(a)(2), and also comply with the B56.1 revision in effect at time of manufacture.

# J100XNL-J120XN SPECIFICATIONS

GENERAL	1	Manufacturer		Hyster		
	2	Model Designation		J100XNL	J110XN	J120XN
	3	Power/Voltage		Electric/80 Volts		
	4	Operation		Sit		
	5	Rated Capacity	lb (kg)	10000 (4536)	11000 (4990)	12000 (5443)
	6	Load Center		in (mm) 24 (610)		
TIRES	7	Tire Type - Cushion, Solid, Pneumatic, etc.	Std/Opt	Pneumatic Shaped Solid		
	8	Tire Size (Standard)	Drive/Steer	in 355/50-15/28 x 9-15		
	9	Wheels - Number	X=Driven	Drive/Steer 2X/2		
10	Tread (Drive / Steer)		See Tread Chart on page 5			
DIMENSIONS	11	Mast Tilt	Std Opt Opt	degrees	6F/6B 6F/8B 6F/4B	
	12	Mast - Lowered Height	Std Mast	in (mm)	92 (2320)	
	13	Free Lift - Top of Fork	Std 2 Stg Limited Free Lift Mast	in (mm)	5 (150)	6 (160)
	14	Lift Height - Top of Fork	Std 2 Stg Limited Free Lift Mast	in (mm)	121 (3090)	122 (4000)
	15	Mast - Extended Height	Std Mast with/without LBR	in (mm)	172/159 (4364/4030)	
	16	Overhead Guard Height		in (mm)	92 (2338)	
	17	SIP to Bottom of OHG	Seat Depressed	Std/Susp/Swivel	in (mm) 38.5/39.1/38.5 (977/992/978)	
	18	Tow Pin Height	Vertical Center of Pin	in (mm)	20.7 (526)	
	19	Overall Width (Drive Tires)		See Overall Width Chart on page 5		
	20	Forks	Thickness x Width x Length	in (mm)	2.0 x 5.9 x 48 (50 x 150 x 1219)	2.4 x 5.9 x 48 (60 x 150 x 1219)
	21	Standard Carriage Width	Class III (8000-9000 lb.) Class IV (10000 - 12000 lb.)	in (mm)	48 (1219)	
	23	Ground Clearance	Lowest Point	See Ground Clearance Chart on page 5		
	24	Ground Clearance	Center of Truck	NL/RL	in (mm) 7.2/7.0 (183/177)	
	25	Load Distance	Center of Wheel to Face of Forks	in (mm)	22.9 (581)	23.3 (591)
	26a	Battery Compartment	Height	w/Vertical Battery Removal	in (mm) 31.8 (808)	
	26b		Width		in (mm) 40.8 (1037)	
	26c			Nominal (Std/Opt)	SIZE 40	
	26d		Length	Actual (Std/Opt)	in (mm) 39.6 (1006)	
	27	Length to Face of Forks	Chassis Length	in (mm)	123.1 (3126)	123.5 (3136)
	28	Wheelbase		in (mm)	85.8 (2180)	
	29	Right Angle Stack		in (mm)	172.5 (4381)	172.9 (4391)
30	Equal Aisle	90° Intersecting Aisle	in (mm)	96.0 (2439)	96.1 (2441)	
31	Outside Turning Radius		in (mm)	101.3 (2573)		
WT.	32	Truck Weight	Without Battery	NL	lb (kg)	13710 (6219) 13930 (6319) 14510 (6582)
	33	Axle Loading - Drive	Static with Max. Wt. Battery	NL/RL	lb (kg)	9816/25354 (4452/11500) 9839/26931 (4463/12216) 10118/28726 (4589/13030)
	34	Axle Loading - Steer	Static with Max. Wt. Battery	NL/RL	lb (kg)	9287/3750 (4213/1701) 9485/3393 (4302/1539) 9789/3180 (4440/1442)
PERFORMANCE	STANDARD PERFORMANCE					
	35a	Travel Speed	Extended Shift On	NL/RL	mph (km/h)	11.6/9.1 (18.7/14.7) 11.6/9.0 (18.7/14.5) 11.6/9.0 (18.7/14.5)
	35b		Extended Shift Off	NL/RL	mph (km/h)	13.0/12.4 (21.0/20.0) 13.0/12.4 (21.0/20.0) 13.0/12.1 (21.0/19.5)
	36a	Lift Speed, Extended Shift On	Std 2 Stg LFL Mast	NL/RL	ft/min (m/sec)	91/61 (.46/.31) 91/59 (.46/.30) 91/59 (.46/.30)
	36b		Opt 2 Stg FFL Mast	NL/RL	ft/min (m/sec)	83/59 (.422/.30) 83/58 (.422/.295) 83/58 (.422/.295)
	36c		Opt 3 Stg FFL Mast	NL/RL	ft/min (m/sec)	85/60 (.434/.303) 85/58 (.434/.297) 85/58 (.434/.297)
	36d	Lift Speed, Extended Shift Off	Std 2 Stg LFL Mast	NL/RL	ft/min (m/sec)	96/69 (.49/.35) 96/67 (.49/.34) 96/65 (.49/.33)
	36e		Opt 2 Stg FFL Mast	NL/RL	ft/min (m/sec)	89/66 (.452/.334) 89/65 (.452/.33) 89/64 (.452/.325)
	36f		Opt 3 Stg FFL Mast	NL/RL	ft/min (m/sec)	91/67 (.464/.339) 91/66 (.464/.333) 91/64 (.464/.327)
	37a	Lower Speed	Std 2 Stg LFL Mast	NL/RL	ft/min (m/sec)	71/91 (.36/.46) 71/91 (.36/.46) 71/91 (.36/.46)
	37b		Opt 2 Stg FFL Mast	NL/RL	ft/min (m/sec)	55/83 (.28/.42) 55/83 (.28/.42) 55/83 (.28/.42)
	37c		Opt 3 Stg FFL Mast	NL/RL	ft/min (m/sec)	61/89 (.31/.45) 61/89 (.31/.45) 61/89 (.31/.45)
	38a	Gradeability	5 Minute Rating	NL/RL	%	21.9/14.3 21.5/13.7 21.0/13.0
	38b		60 Minute Rating	NL/RL	%	4.7/3.2 4.6/3.0 4.5/2.9
39a	Drawbar Pull	5 Minute Rating	NL/RL	lbf	4020/3898 4020/3895 4018/3892	
39b		60 Minute Rating	NL/RL	lbf	1485/1451 1484/1448 1483/1445	
40a	Brake	Method of Control	Service/Parking	Hydraulic/Spring Applied		
40b		Method of Operation	Service/Parking	Foot/Automatic		
ELECTRIC	41	Battery	Type	Lead Acid		
	42	Traction Motors (Dual)	60 Minute Rating	Each	hp (kW)	19.7 (14.7)
	43	Pump Motor	15 Minute rating		hp (kW)	48.3 (36)
	44	Traction Motors	Type/Control Method	Dual AC/Transistor		
	45	Pump Motor	Type/Control Method	AC/Transistor		
	46	Number of Speeds	Traction/Pump	Infinitely Variable/Infinitely Variable		
OTHER	47	Step Height		in (mm)	19.3 (490)	
	48	Floor Height		in (mm)	33.1 (840)	
	49	Attachment Relief Pressure		psi (bar)	2250 (155)	
	50	Auxiliary Oil Flow	3rd and 4th Function	gal/min (l/min)	16 (60)	
	51a	Sound Level	Extended Shift On	dB (A)	68	
51b	(Measured per ANSI B56.11.5)	Extended Shift Off	dB (A)	69		

Above specifications, unless otherwise listed, are for a standard truck without optional equipment.  
Right Angle Stack and Equal Intersecting Aisle dimensions provided with a 48" long and 40" wide pallet load, allowing zero clearance.

# J80-120XN SPECIFICATIONS <

## TREAD (DRIVE AND STEER TIRES)

Tire Type	Drive Tire / Steer Tire	J80XN	J90XN	J100XN	J100XNL	J110XN	J120XN
		in (mm)					
Pneumatic Tire	250 x 15 20 Ply / 7.00 x 12 16 Ply	44.2 / 45.0 (1123 / 1143)		N/A	N/A		
PSS Tires	250 x 15-7.5 / 7.00 x 12 / 5.0	44.2 / 45.0 (1123 / 1143)		N/A	N/A		
Pneumatic Tire	28 x 12.5-15 24 Ply / 7.00 x 12 16 Ply	45.9 / 45.0 (1167 / 1143)			N/A		
PSS Tires	355 / 50-15 / 7.00 x 12 / 5.0	45.9 / 45.0 (1167 / 1143)			N/A		
Pneumatic Tire (Dual Drive)	7.00 x 15 14 Ply / 7.00 x 12 16 Ply	60.1 / 45.0 (1526 / 1143)			N/A		
PSS Tires (Dual Drive)	7.00 x 15-5.5 / 7.00 x 12 / 5.0	60.1 / 45.0 (1526 / 1143)			N/A		
PSS Tires	355 / 50-15 / 28 x 9-15	N/A			45.9 / 45.0 (1167 / 1143)		
PSS Tires (Dual Drive)	700 x 15 / 5.5 / 28 x 9-15	N/A			60.1 / 45.0 (1526 / 1143)		

## OVERALL WIDTH (DRIVE TIRES)

Tire Type	Drive Tire	J80XN	J90XN	J100XN	J100XNL	J110XN	J120XN
		in (mm)					
Pneumatic Tires	250 x 15 20 Ply	54.1 (1373)		N/A	N/A		
PSS Tires	250 x 15-7.5	54.7 (1388)		N/A	N/A		
Pneumatic Tires	28 x 12.5-15 24 Ply	58.0 (1472)			N/A		
PSS Tires	355 / 50-15	57.1 (1451)			57.1 (1451)		
Pneumatic Tires (Dual Drive)	7.00 x 15 14 Ply	67.9 (1724)			N/A		
PSS Tires (Dual Drive)	7.00 x 15-5.5	68.5 (1739)			68.5 (1739)		

## GROUND CLEARANCE (LOWEST POINT)

	J80XN	J90XN	J100XN	J100XNL	J110XN	J120XN
	NL / RL in (mm)					
250 x 15 20 Ply	5.7 / 4.9 (144 / 125)		N/A	N/A		
250 x 15-7.5	5.6 / 5.1 (141 / 130)		N/A	N/A		
28 x 12.5-15 24 Ply	5.8 / 5.0 (148 / 128)			N/A		
355 / 50-15	5.6 / 5.3 (143 / 135)			5.6 / 5.3 (143 / 135)		
7.00 x 15 14 Ply (Dual Drive)	6.1 / 5.3 (156 / 135)			N/A		
7.00 x 15-5.5 (Dual Drive)	5.7 / 5.3 (145 / 135)			5.7 / 5.3 (145 / 135)		

## BATTERY AND COMPARTMENT SPECIFICATIONS

BATTERY COMPARTMENT DIMENSIONS				BATTERY DIMENSIONS AND SPECIFICATIONS							
Truck Model	Width	Length	Height	"X"	"Y"	"Z"	Volts	No. of cells	Max Capacity 6 Hr Rate amp Hr (kWh)	Weight	
	in (mm)			in (mm)						Min	Max
										lbs (kg)	
<b>J80-120XN 40" Compartment</b>	40.8 (1037)	39.6 (1006)	31.8 (808)	40.6 (1030)	39.4 (1000)	31.4 (798)	80	40	840 (65.2)	4600 (2080)	5400 (2440)
<b>J80-90XN 34" Compartment</b>	40.8 (1037)	33.8 (859)	31.8 (808)	40.6 (1030)	33.1 (840)	31.4 (798)	80	40	700 (54.3)	4400 (1991)	5100 (2319)

Battery Type: "EO" (Without Cover)

Max allowable battery capacity per UL is 1000 amp hr (77.6 kwh)

Commercially available lead acid batteries may not necessarily reach these max limits

34" Compartment achieved by use of a Front Compartment Spacer - Reduces Compartment Length from 39.6" to 33.8"

Allows use of 31.5" - 33" (800 - 840 mm) battery in the 40" (1006 mm) Battery Compartment

Battery Compartment Length is measured front to rear. Battery Compartment Width is measured across the truck.

### Battery Notes - Conventional Charging

Battery Connector: 80 volt - Black SBE®320

Anderson Power Products® P/N E6363G2 (3/0 AWG), E6363G3 (4/0 AWG) or equivalent

Battery Lead: Length 20" (508 mm), Position "A", Minimum Cable Size 3/0 AWG

Handle (not required): SB®350 and SBE®320 (Anderson Power Products®: "A" TYPE (Grey) P/N 995G2 or equivalent)

### Battery Notes - Premium, Fully Integrated "Quick Connect" Rapid / Fast Charging

NOTE: A Site Survey is required to confirm your application is a candidate for Rapid Charge and to determine the battery and charger specifications required. Contact your battery and charger supplier.

Battery Connector: Requires Positive / Negative Cabling terminating in (1) Female EBC-320 DIN Connector

Anderson Power Products® P/N E32595-00X9 (3/0 AWG), A32504-00X9 (4/0 AWG) or equivalent. (X = Auxiliary Contacts)

DIN connector to include 1 Red Conductor to (+) and 1 black conductor to (-)

Battery Lead: Length 20" (508 mm), Position "A", Minimum Cable Size 3/0 AWG

## > J80-120XN MAST DIMENSIONS

<b>J80-90XN MAST DIMENSIONS</b>					
<b>Maximum Fork Height (TOF)</b>	<b>Overall Lowered Height</b>	<b>Overall Extended Height with Load Backrest</b>	<b>Overall Extended Height without Load Backrest</b>	<b>Free Lift (TOF) with Load Backrest</b>	<b>Free Lift (TOF) without Load Backrest</b>
<b>in (mm)</b>	<b>in (mm)</b>	<b>in (mm)</b>	<b>in (mm)</b>	<b>in (mm)</b>	<b>in (mm)</b>
<b>2-STAGE LIMITED FREE LIFT (LFL) VISTA™ MAST</b>					
131 (3350)	92 (2320)	181 (4591)	162 (4109)	5 (150)	5 (150)
143 (3650)	98 (2470)	193 (4891)	174 (4409)	5 (150)	5 (150)
167 (4250)	110 (2770)	217 (5491)	198 (5009)	5 (150)	5 (150)
<b>2-STAGE FULL FREE LIFT (FFL) VISTA™ MAST</b>					
132 (3375)	92 (2320)	182 (4622)	165 (4187)	42 (1079)	59 (1514)
144 (3675)	98 (2470)	194 (4922)	177 (4487)	48 (1229)	65 (1664)
<b>3-STAGE FULL FREE LIFT (FFL) VISTA™ MAST</b>					
185 (4715)	90 (2270)	235 (5962)	218 (5527)	40 (1029)	57 (1464)
194 (4950)	94 (2370)	244 (6197)	227 (5762)	44 (1129)	61 (1564)
206 (5250)	98 (2470)	256 (6497)	239 (6062)	48 (1229)	65 (1664)
218 (5550)	102 (2570)	268 (6797)	251 (6362)	52 (1329)	69 (1764)
236 (6000)	110 (2770)	286 (7247)	269 (6812)	60 (1529)	77 (1964)

<b>J100-120XN MAST DIMENSIONS</b>					
<b>Maximum Fork Height (TOF)</b>	<b>Overall Lowered Height</b>	<b>Overall Extended Height with Load Backrest</b>	<b>Overall Extended Height without Load Backrest</b>	<b>Free Lift (TOF) with Load Backrest</b>	<b>Free Lift (TOF) without Load Backrest</b>
<b>in (mm)</b>	<b>in (mm)</b>	<b>in (mm)</b>	<b>in (mm)</b>	<b>in (mm)</b>	<b>in (mm)</b>
<b>2-STAGE LIMITED FREE LIFT (LFL) VISTA™ MAST</b>					
121 (3090)	92 (2320)	172 (4364)	159 (4030)	5 (150)	5 (150)
133 (3390)	98 (2470)	184 (4664)	171 (4330)	5 (150)	5 (150)
157 (3990)	110 (2770)	208 (5264)	195 (4930)	5 (150)	5 (150)
<b>2-STAGE FULL FREE LIFT (FFL) VISTA™ MAST</b>					
122 (3115)	92 (2320)	173 (4389)	162 (4107)	41 (1052)	52 (1334)
134 (3415)	98 (2470)	185 (4689)	174 (4407)	47 (1202)	58 (1484)
<b>3-STAGE FULL FREE LIFT (FFL) VISTA™ MAST</b>					
174 (4437)	90 (2270)	225 (5711)	214 (5429)	39 (996)	50 (1278)
184 (4690)	94 (2370)	235 (5964)	224 (5682)	43 (1096)	54 (1378)
196 (4990)	98 (2470)	247 (6264)	236 (5982)	47 (1196)	58 (1478)
208 (5290)	102 (2570)	259 (6564)	248 (6282)	51 (1296)	62 (1578)

## STANDARD EQUIPMENT

- AC traction and pump motors (completely brushless)
- Transistor drive and pump control
- 80-volt electrical system
- Dual drive motors
- Wet disc brakes
- Automatic park brake
- 6° forward/6° back tilt
- Power assist braking
- Auto Deceleration System (ADS) with regenerative braking
- “Zero Turn” steer axle
- Hyster Stability System (HSS®)
- Easy ingress/egress with low step height and contoured handhold
- Operator convenience station
- Multifunction display
- Adjustable tilt steering column with low profile cowl for excellent visibility
- Black, non-cinch seat belt with Emergency Locking Retractor (ELR)
- Non-suspension vinyl seat
- MONOTROL® foot direction control
- Fully integrated CANbus communication
- Operator Presence System (OPS)
- Seaside power disconnect button
- Electronic horn with integral relay
- Cushioned floormat
- Static strap
- Tow pin


## OPTIONAL EQUIPMENT

- TouchPoint mini-levers
- Return to set tilt
- Telescoping steering column with tilt memory
- Full-suspension seat (vinyl or cloth)
- Full-suspension swivel seat (vinyl or cloth)
- Keyless start switch
- Premium, fully integrated “quick connect” rapid charge system
- Rear drive handle with horn button
- Load weight indicator
- Impact monitor
- LED and halogen work light packages
- LED dome/reading light
- LED brake/tail/back-up light packages
- Key switch controlled lights
- 6° forward / 8° back tilt
- 6° forward / 4° back tilt
- Integral sidsifter
- Full steel cab
- Front, top and rear cab panels
- Audible alarm – reverse operation (manually adjustable to 87, 97 or 102 dB)
- Visible alarm – amber led strobe with continuous operation
- Dual drive tires
- Type “EE” UL construction
- Dual rear view mirrors
- Panoramic rear view mirror
- Fire extinguisher
- Accumulator
- Cooler / freezer package – operating temperatures: -20°F to +120° F
- Outdoor protection/wash-down package
- Front mud guards
- Tilt cylinder boots
- Synchronous steering
- Red, high-visibility, non-cinch seat belt with or without start interlock
- Low mount display



Hyster Company  
P.O. Box 7006  
Greenville, North Carolina  
27835-7006  
Part No. J80-120XN/TG  
12/2017 Litho in U.S.A.

Visit us online at [www.hyster.com](http://www.hyster.com) or call us at **1-800-HYSTER-1**.

Hyster, , and STRONG PARTNERS. TOUGH TRUCKS. and MONOTROL are registered trademarks in the United States and certain other jurisdictions. Hyster products are subject to change without notice.

Trucks may be shown with optional equipment. © 2017 Hyster Company. All rights reserved.